

Data Sheet

WizePanel™ Dispatcher



Features

- 100 BASE-TX Ethernet connection
- Radio module in 868 MHz ISM band
- Integrated Antenna
- Main Power Supply 110 V~ or 230 V~
- Status LEDs:
 - 1x Data Ethernet (Green)
 - 1x Radio in (Yellow)
 - 1x Radio out (Blue)
- 3 Buttons:
 - 1x Configuration
 - 1x Software-Reset
 - 1x Hardware-Reset

Absolute Maximum Ratings

- Power supply voltage: max. 264V~
- Power supply frequency range: 47Hz...440Hz

Technical Parameters

- Power consumption: 2 W
- Power supply voltage: 100 V~...230 V~ (+10 %, -15 %)

- IP-address: DHCP, Standard IP 132.168.1.209
- Ethernet specification: 100 BASE-TX

Radio module

- Frequency: 863 MHz...868 MHz ISM band (Industrial, scientific and medical band)
- Range: Up to 300 m with free visibility, lower in buildings depending on circumstances

Dimensions 206 x 174 x 50 mm

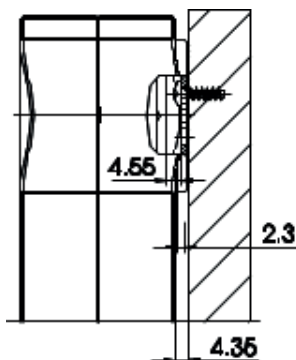
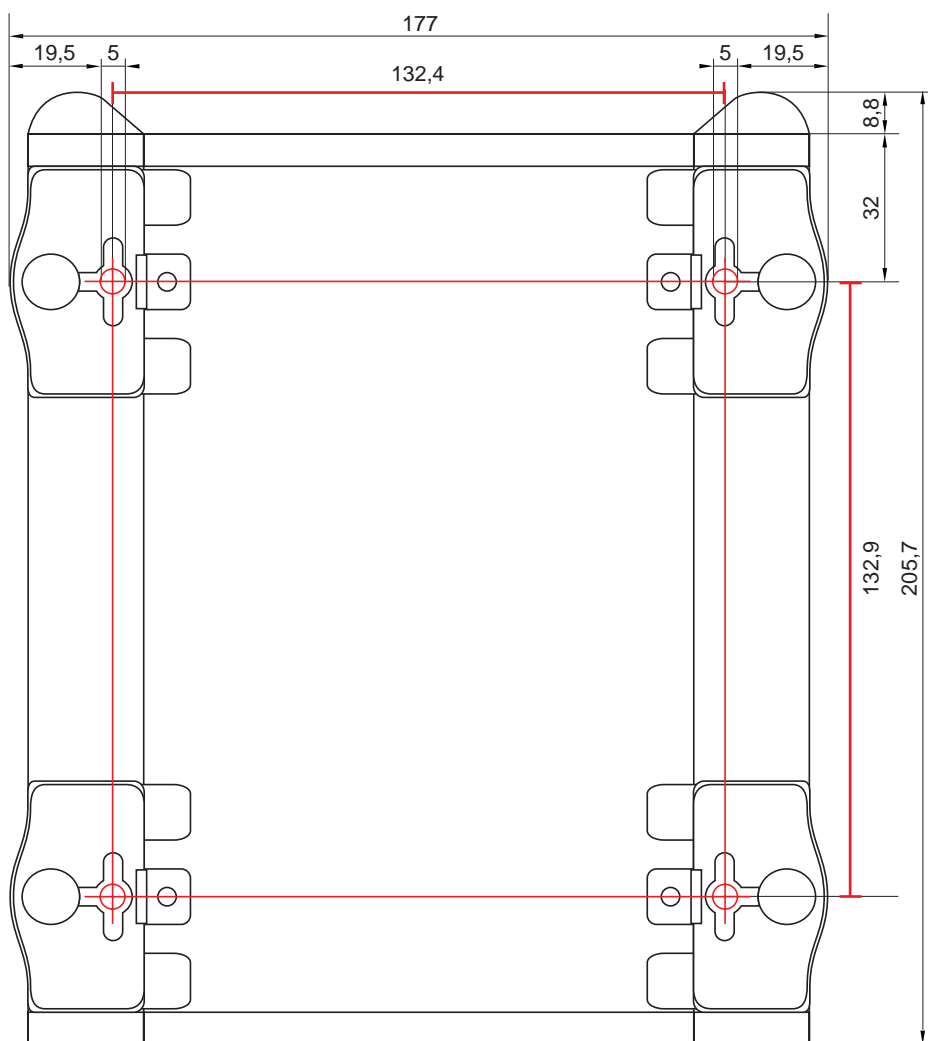
Item number WZP-DP-L-999-01 (for up to 999 WizePanel)

Data Sheet

WizePanel™ Dispatcher

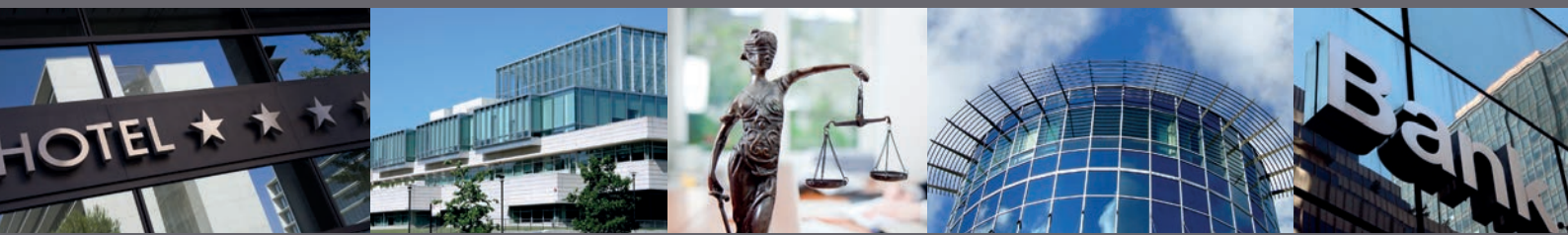


Dimensions (in mm)



Data Sheet

WizePanel™ Dispatcher



Drilling template for the wall bracket, dimensions in mm:
Please print 1:1 (unscaled!)

